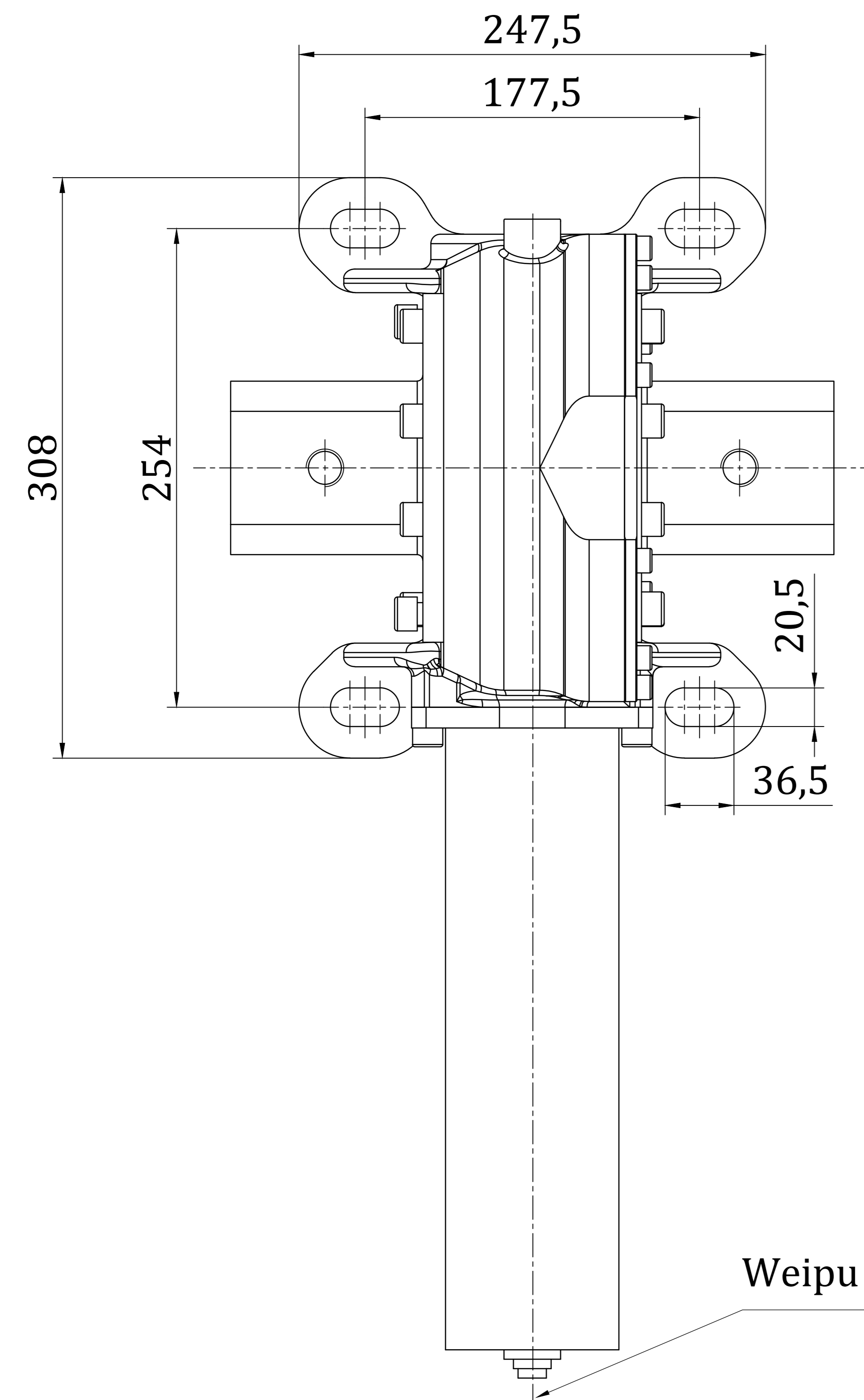
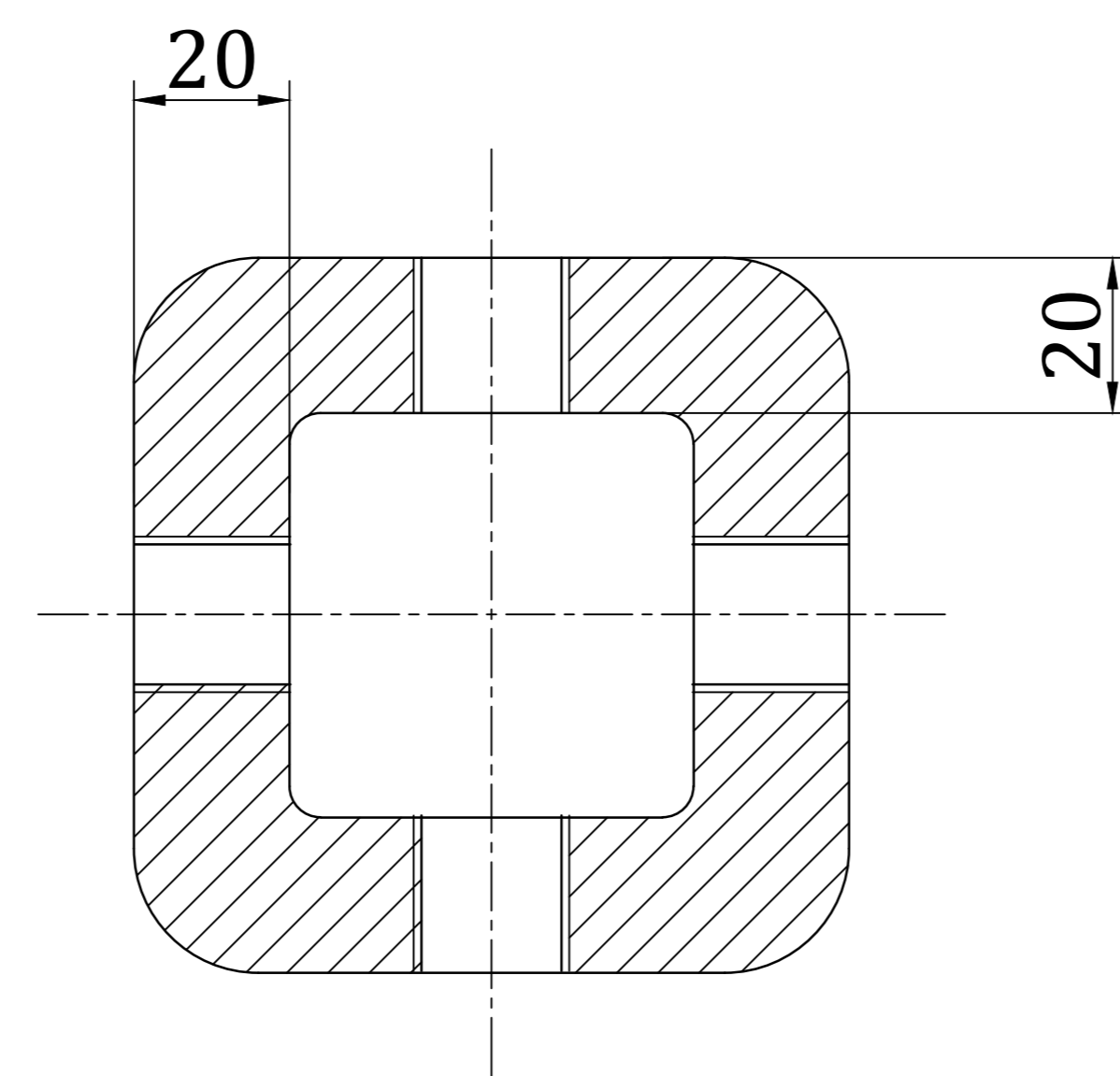


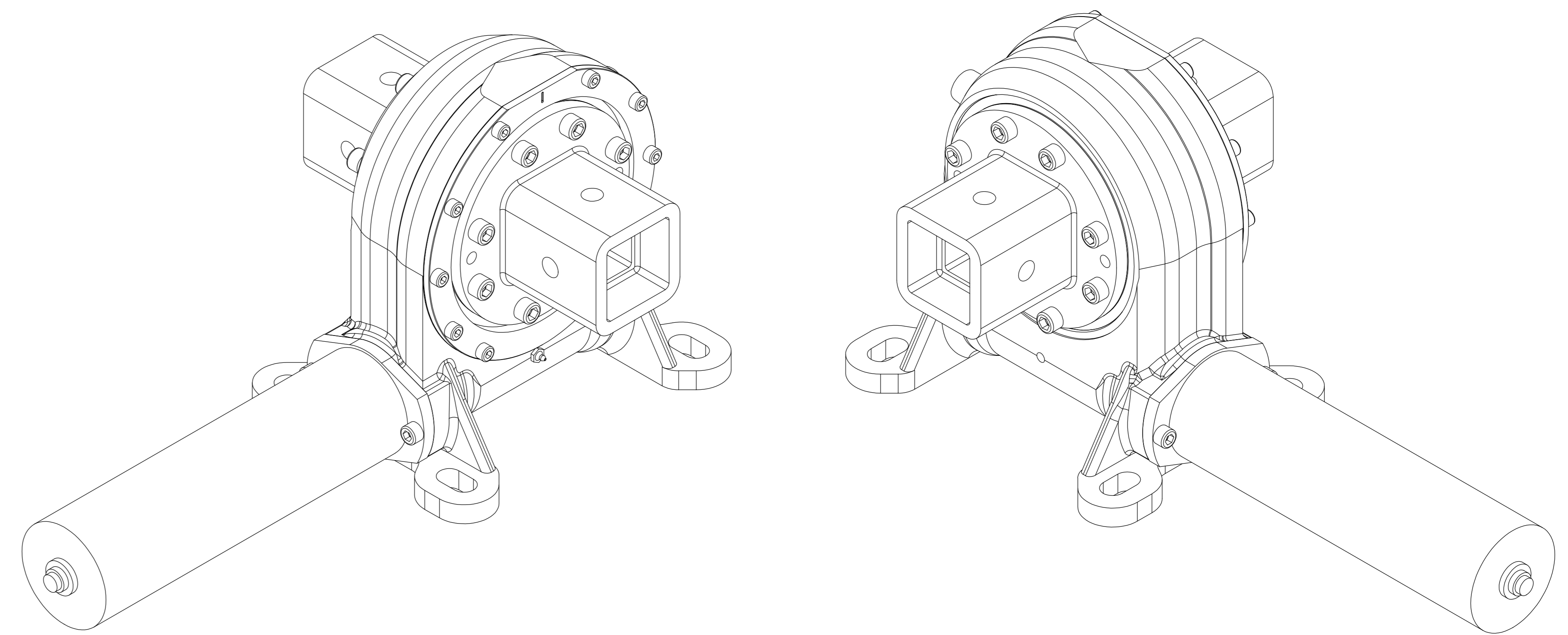
Slewing Drive Performance Parameters	
Rated Output Speed	0.025 rpm
Rated Output Torque	7200 N.m
Tilting Moment	10 kN.m
Holding Torque	45 kN.m
Static Axial Rating	100 kN
Static Radial Rating	65 kN
Dynamic Axial Rating	60 kN
Dynamic Radial Rating	45 kN
Gear Ratio	60 : 1
Hard Limit	±60°
Precision	≤ 0.17°
24VDC Reducer Motor Performance Data (24/15/400)	
Rated Speed	1.5 rpm
Rated Output Torque	400 N.m
Rated Current	≤ 1.5A
IP Class	IP 65




Wire Define	
Pin 1 (black)	motor -
Pin 2 (red)	motor +
Pin E (yellow/green)	GND



A-A  
2:1



REV	DATE	REVISER	REVISER		
DESIGNED BY	2023/11/17	Li Ming	 www.coresundrive.com Coresun Drive Equipment Changzhou Co.,Ltd.		
CHECKED BY	2023/11/17	Rui Wang			
APPROVED BY	2023/11/17	Shane Zhang			
ALL PROPRIETARY RIGHTS IN THE SUBJECT MATTER HERE OF ARE RESERVED, AND NO PERMISSION IS GRANTED OR TO DISCLOSE REPRODUCE THIS PRINT IN WHOLE OR IN PART, ANY OF THE INFORMATION TO OTHERS.			WEIGHT	SCALE	<h1>Slewing Drive</h1>
				1 : 5	
SYMBOLS ISO			SIZE	A3	<b>VH7-60S90-RC-2415400</b>
			SHEET	1 / 1	
					REV A