

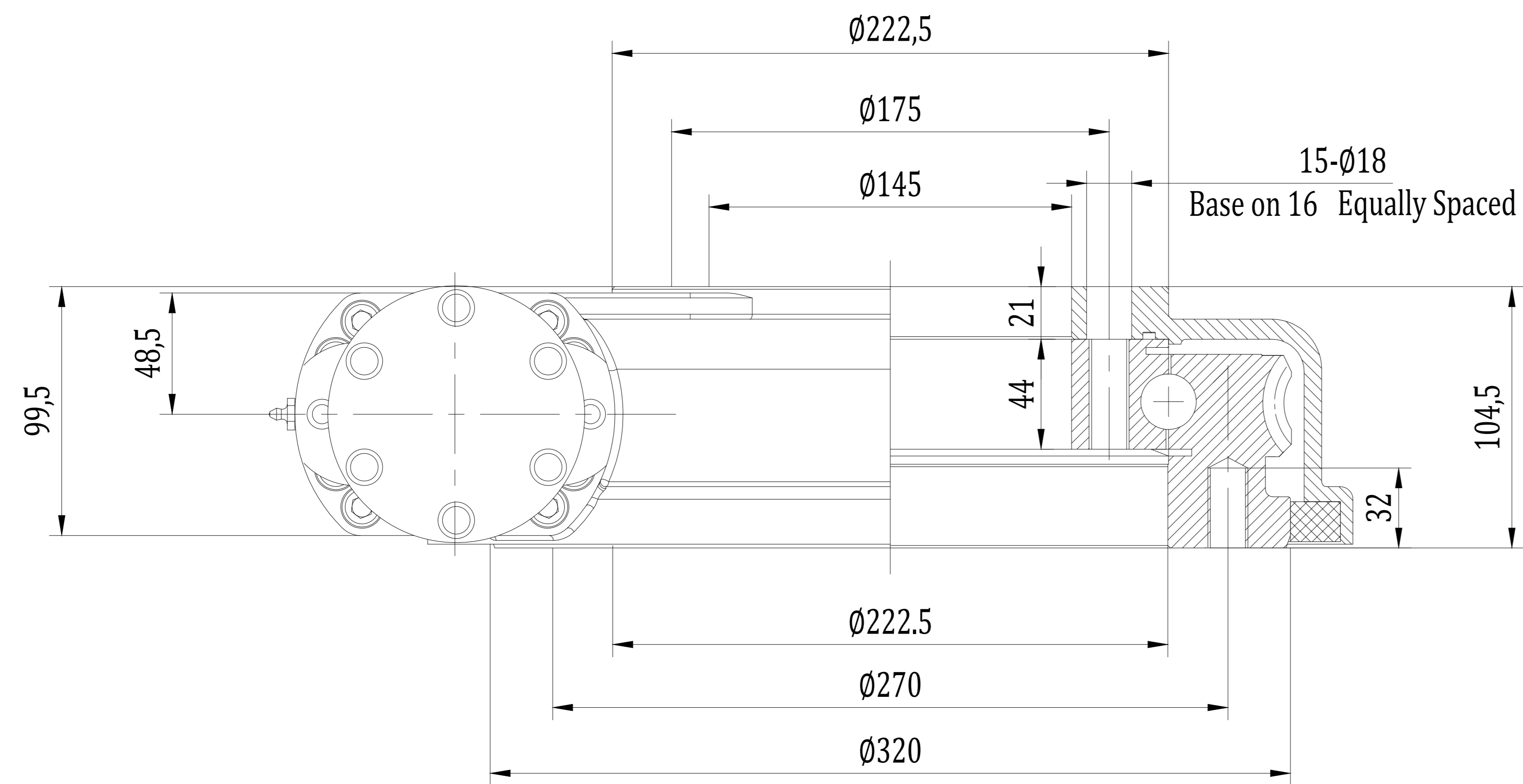
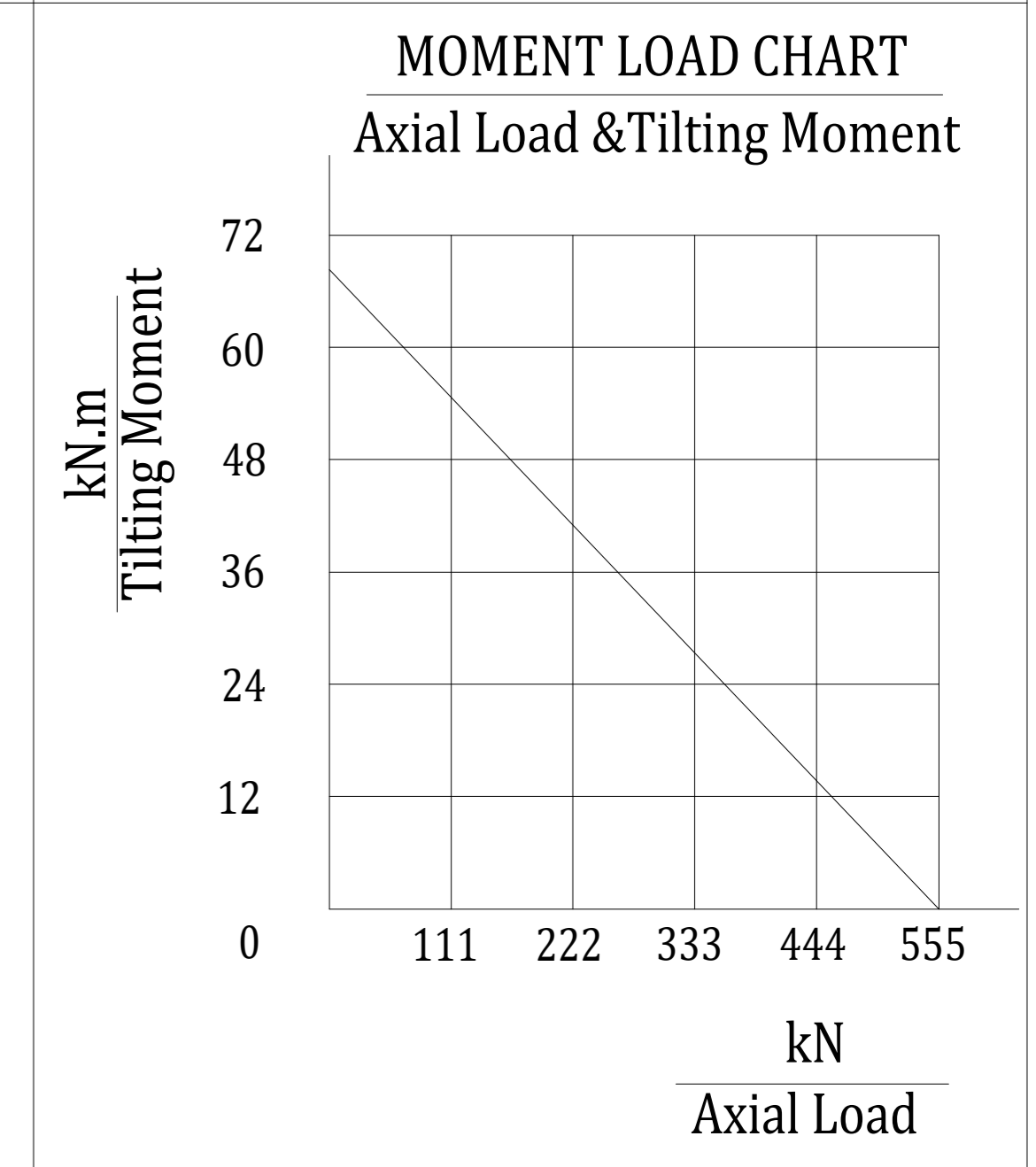
Slewing Drive Performance Parameters		
Rated Output Speed	3rpm	
Output Torque	4.76 kN.m	3.51×10 ³ lbf.ft
Tilting Moment	41.2 kN.m	30.4×10 ³ lbf.ft
Holding Torque	45.6 kN.m	33.7×10 ³ lbf.ft
Static Axial Load Rating	578 kN	130.1×10 ³ lbf
Static Radial Load Rating	260 kN	58.5×10 ³ lbf
Gear Ratio	59:1	
Precision	≤0.17°	
Hydraulic motor Performance Parameters		
Pressure	9MPa	
Flow	30L/min	


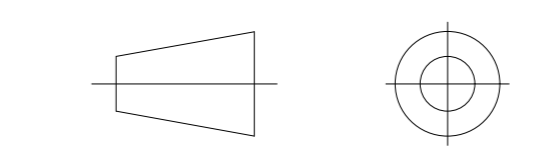
Hydraulic Motor Performance Data

BMRS160 [157.2 cm³/rev.]

Flow(L/min)	Pressure (MPa)							
	5	7	9	10	12	14	16	17.5
10	115	160	203	220	260	300	340	362
	58	55	52	50	44	38	34	26
20	114	160	205	230	265	320	355	380
	119	115	111	108	103	95	84	76
30	105	158	202	221	261	305	344	378
	184	181	177	172	165	153	134	130
40	100	145	196	218	257	299	340	374
	246	244	239	237	230	218	199	184
50	90	140	190	209	250	295	336	366
	307	305	302	300	292	280	262	244
60	84	136	180	199	240	286	330	360
	370	368	364	362	355	342	334	304
70	65	120	164	180	223	280	320	350
	435	434	430	427	416	405	385	366
75	59	116	158	175	220	272	314	342
	465	462	458	456	447	433	416	395

Torque (N.m) 378
Speed (rpm) 130



REV	DATE	REVISER	REVISER	
DESIGNED BY	2019/8/1	Li Ming	 www.coresundrive.com Coresun Drive Equipment Changzhou Co., Ltd.	
CHECKED BY	2019/8/1	Rui Wang		
APPROVED BY	2019/8/1	Shane Zhang		
ALL PROPRIETARY RIGHTS IN THE SUBJECT MATTER HERE OF ARE RESERVED, AND NO PERMISSION IS GRANTED OR TO DISCLOSE REPRODUCE THIS PRINT IN WHOLE OR IN PART, ANY OF THE INFORMATION TO OTHERS.			WEIGHT	SCALE
SYMBOLE ISO				1:3
			SIZE	A3
			SHEET	1/1
			Slewing Drive	
WH9-59-LH-160A		A		